

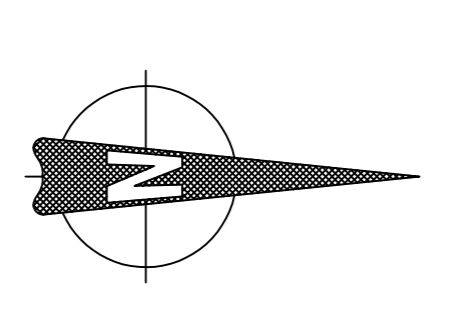
Copyright of this drawing is reserved by JODA Engineering Consultants. This drawing is issued on condition that it not copied or disclosed by or to any person other than those specifically named in this drawing. The drawing is issued on condition that it not be used for any purpose other than that for which it is issued. This drawing with relevant dimensions shown on other drawings issued by JODA Engineering Consultants and by other design consultants relevant to the project prior to any fabrication or construction on site. All errors, omissions and deviations from the drawing are the responsibility of the client. JODA Engineering Consultants accepts no responsibility for errors made as a result of scaling of any dimension from this drawing.

**NOTES:**

1. This drawing to be read in conjunction with all relevant drawings and specifications.
2. Do not scale, if in doubt ask.
3. All drawings to be checked on site.
4. All levels to OSGM15 Datum.
5. New water supply infrastructure will be constructed in accordance with Irish Water requirements, as per the following documents:  
6. Code of Practice for Water Infrastructure (Document IW-CDS-5020-03), Irish Water  
7. Water Infrastructure Standard Details (Document IW-CDS-5020-01), Irish Water  
8. Existing water supply infrastructure will be protected in accordance with the requirements of Irish Water.
9. Fire/Watermain: 150mm Ø High Density Polyethylene watermain.
10. Hydrant layout as shown a subject to pressure test in of the existing water supply service prior to construction to confirm adequate fire fighting water supply.

**Water Supply services - legend**

	New water supply pipe
	Existing water supply pipe (dark blue)
	Existing water supply pipe - Remove (dark blue)
	Existing water supply pipe under Irish Water Control - (dark blue)
	Existing water supply pipe under Irish Water Control - Remove (dark blue)
	Sluice Valve and chamber, new
	Sluice Valve and chamber, existing
	Air Valve and chamber, new
	Air Valve and chamber, existing
	Hydrant and chamber, new
	Hydrant and chamber, existing
	Washout hydrant, new
	Washout hydrant, existing
	Scour Valve, new
	Scour Valve, existing
	Bulk Water Meter and chamber, new
	Water meter and chamber, existing
	Customer connection and boundary box, new
	Customer connection and boundary box, existing



ISSUED FOR PLANNING	PA	TON	18.07.22
REVISIONS	NO.	DATE	DESCRIPTION
1			ISSUED FOR PLANNING

JODA Engineering Consultants  
 Civil, Structural, Mechanical & Electrical Engineers  
 Ballincorney House, Ballincorney, Cork, T12 P4AV, Ireland  
 Tel: 021 4544244 Web: www.joda.ie

**JODA**  
 ENGINEERING CONSULTANTS

STUDENT ACCOMMODATION IN WILTON ROAD,  
 VICTORIA CROSS, CORK

Proposed Watermain Layout

4539-005  
 1:250 | A1

